

Air Intake Catalogue

Table Of Contents

Air Inlet Rubber Hump Hoses.	Page 1	Air Inlet Aluminium Tubing.	Page 6
Air Inlet Rubber Reducer Hump Hoses.	Page 1	'Vortex' Air Inlet Rams.	Page 7
Air Inlet Rubber Reducing Sleeve.	Page 2	Moulded Plastic Air Inlet Air Rams.	Page 7
Air Inlet Rubber 90° Elbows.	Page 2	Moulded Plastic Air Inlet Hoods.	Page 7
Air Inlet Rubber 90° Reducing Elbows.	Page 3	Air Inlet Pre-Cleaners.	Page 8
Air Inlet Rubber 45° Elbows.	Page 4	Air Inlet Pre-Cleaner Service Parts.	Page 8
Air Inlet Rubber 45° Reducing Elbows.	Page 4	Nelson Air Cleaner Assemblies.	Page 9
Air Inlet Rubber Special Elbows.	Page 5	Air Cleaner Mounting Bands.	Page 10
Air Inlet Ducting Hose.	Page 5	Air Inlet Accessories.	Page 10
Air Inlet S/Steel T-Bolt Clamps.	Page 6	In-Line Air Separators.	Page 10

Our Locations

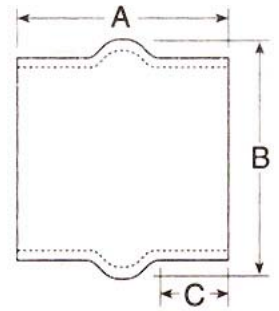
Head Office
7/1927 Ipswich Rd
Rocklea Qld
Ph: 61 7 3277 5377
Fax: 61 7 3275 1863

Browns Plains
11 Elliott Ct
Browns Plains
Ph : 61 7 3806 6555
Fax : 61 7 3806 6444

Burpengary
1 Brewers St
Burpengary
Ph : 61 7 3888 7755
Fax : 61 7 3888 7766

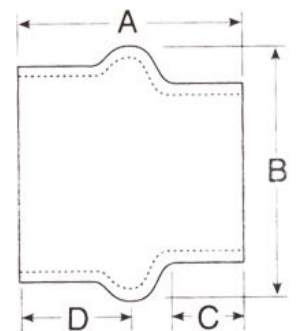
AIR INLET RUBBER HUMP HOSES.

Part No.	I.D.	A.	B.	C.
HH3	3"	5.25"	4.5"	2"
HH35	3.5"	5.25"	5"	2"
HH4	4"	5.25"	5.37"	2"
HH45	4.5"	5.25"	5.87"	1.75"
HH5	5"	6"	6.12"	2.25"
HH55	5.5"	6"	7"	2.25"
HH6	6"	7"	7.5"	2.75"
HH6SS	6"	3"	6.25"	No Hump
HH7	7"	7"	8.5"	2.5"
HH8	8"	5"	9.5"	1.5"



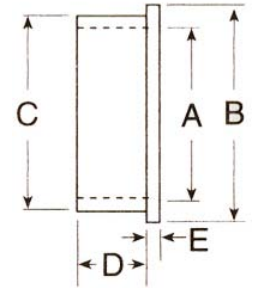
AIR INLET RUBBER REDUCER HUMP HOSES.

Part No.	I.D.	A.	B.	C.	D.
HHR215	2" x 1.5"	2.5"	2.5"	1"	1"
HHR2175	2" x 1.75"	2.5"	2.5"	1"	1"
HHR2252	2.25" x 2"	2.5"	2.75"	1"	1"
HHR252	2.5" x 2"	2.5"	3"	1"	1"
HHR25225	2.5" x 2.25"	2.5"	3"	1"	1"
HHR325	3" x 2.5"	4.5"	4.5"	1.5"	1.5"
HHR35275	3.5" x 2.75"	4"	4.87"	.75"	2.25"
HHR353	3.5" x 3"	6"	5"	2.31"	3"
HHR4275	4" x 2.75"	4"	5.5"	.75"	2.25"
HHR43	4" x 3"	6"	5.25"	2"	3"
HHR435	4" x 3.5"	5"	5.5"	2"	2"
HHR54	5" x 4"	6"	6.25"	2"	3"
HHR554	5.5" x 4"	6"	6.75"	2"	3"
HHR555	5.5" x 5"	6"	6.25"	2.25"	3"
HHR65	6" x 5"	6"	7.5"	2.12"	3"
HHR655	6" x 5.5"	6"	7.5"	2.12"	3"
HHR755	7" x 5.5"	6"	8.5"	2.25"	3.5"
HHR76	7" x 6"	6"	8.5"	1.75"	3"
HHR855	8" x 5.5"	7"	9.5"	2.25"	3.5"
HHR86	8" x 6"	6"	9.5"	2"	3"
HHR87	8" x 7"	6"	9.5"	1.87"	3"

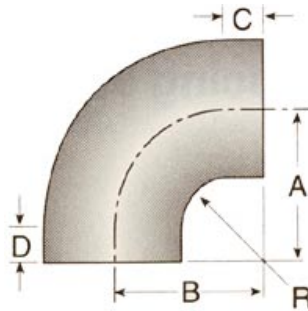


AIR INLET RUBBER REDUCING SLEEVE.

Part No	A.	B.	C.	D.	E.
7-4524	4"	5"	4.5"	1.5"	.25"
7-524	4"	5.5"	5"	1.5"	.5"
7-5245	4.5"	5.5"	5"	1.5"	.25"
7-5524	4"	6"	5.5"	1.5"	.25"
7-5525	5"	6"	5.5"	1.5"	.25"
7-625	5"	6.5"	6"	1.5"	.5"
7-6255	5.5"	6.5"	6"	1.5"	.25"
7-726	6"	7.5"	7"	1.5"	.25"
7-827	7"	8.5"	8"	1.5"	.25"

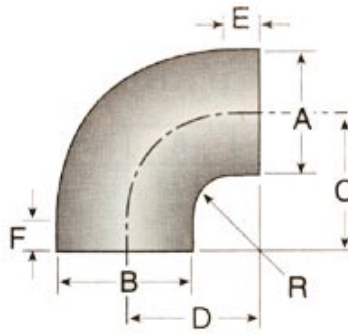


AIR INLET RUBBER 90° ELBOWS.



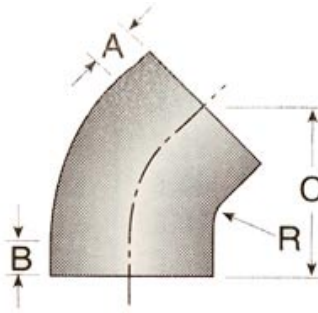
Part No.	I.D.	A.	B.	C.	D.	R.
RL290	2"	5.5"	5.75"	-	-	1.75"
RL22590	2.25"	3.75"	3.75"	-	-	1.75"
RL2590	2.5"	4.25"	4.25"	-	-	1.75"
RL390	3"	5.25"	5.25"	1.75"	1.5"	2"
RL390F	3"	2"	5.25"	-	-	
RL3590	3.5"	5.5"	5.5"	1.75"	1.5"	2"
RL490	4"	5.75"	5.75"	1.75"	1.5"	2"
RL4590	4.5"	6"	6"	1.75"	1.5"	1.75"
RL590	5"	6.12"	6.12"	1.75"	1.62"	1.75"
RL5590	5.5"	6.5"	6.5"	1.75"	1.75"	1.75"
RL5590ESR	5.5"	8"	5.5"	4.5"	1.5"	1"
RL690	6"	7"	7"	2.25"	2"	1.75"
RL690E	6"	7"	9"	4.25"	2"	1.75"
RL690SR	6"	5"	5"	1.5"	1.5"	1"
RL790	7"	7.56"	7.56"	2.25"	2"	1.75"
RL890	8"	8.5"	8.5"	2"	2.25"	2.12"

AIR INLET RUBBER 90° REDUCING ELBOWS.



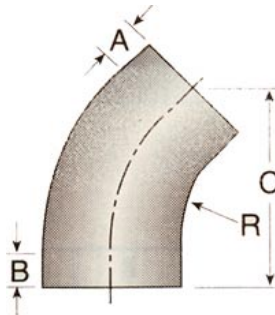
Part No.	A.	B.	C.	D.	E.	F.	R.
RL4390	4"	3"	3.5"	4.5"	-	-	1.5"
RL5490F	5"	4"	3.5"	8.25"	-	-	-
RL5490	5"	4"	5.75"	6"	1.69"	2"	1.5"
RL6590	5"	6"	7"	6"	1.5"	1.7"	1.5"
RL6590SR	5"	6"	4.75"	4.75"	1.25"	1.25"	1.25"
RL65590	5.5"	6"	6.75"	6.75"	1.75"	1.75"	1.75"
RL65590SR	5.5"	6"	4.8"	5"	1.5"	1.5"	1.5"
RL7590	5"	7"	6.75"	6.75"	1.75"	2.75"	1.5"
RL75590	5.5"	7"	5.75"	6.25"	1.5"	1.5"	.62"
RL7690	6"	7"	9"	7.56"	3"	3"	.5"
RL7690SR	6"	7"	8"	5.5"	1.5"	2.5"	2"

AIR INLET RUBBER 45° ELBOWS.



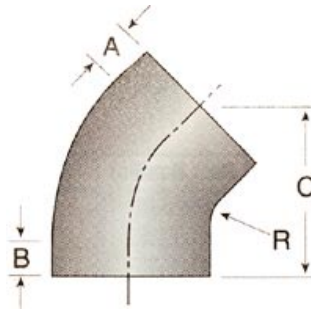
Part No.	I.D.	A.	B.	C.	R.
RL245	2"	1.5"	1.5"	4.25"	2"
RL22545	2.25"	1.5"	1.5"	3.5"	2"
RL2545	2.5"	1.5"	1.5"	4.5"	2"
RL345	3"	1.5"	1.5"	5.5"	2"
RL3545	3.5"	1.5"	1.5"	5.5"	2"
RL445	4"	1.5"	1.5"	5.5"	2"
RL4545	4.5"	1.5"	1.5"	5.75"	1.75"
RL545	5"	1.62"	1.62"	5.25"	1.75"
RL5545	5.5"	1.75"	1.75"	6.25"	1.75"
RL645	6"	2"	2"	6.5"	1.75"
RL745	7"	2.25"	2.25"	8"	1.75"
RL845	8"	2.25"	2.25"	8.25"	2.12"

AIR INLET RUBBER 45° REDUCING ELBOWS.



Part No.	I.D.	A.	B.	C.	R.
RL65545	6" x 5.5"	1.75"	1.75"	6.5"	4.87"
RL7645	7" x 6"	2"	2"	7.38"	5.56"

AIR INLET RUBBER SPECIAL ELBOWS.



Part No.	Degree.	I.D.	A.	B.	C.	R.
RL564	64°	5"	-	-	5.5"	-
RL5522	22°	5.5"	1.75"	1.75"	5.25"	1.75"
RL5554	54°	5.5"	1.75"	1.75"	7.75"	2.5"
RL5568	68°	5.5"	1.75"	1.75"	8.25"	4"
RL622	22°	6"	1.75"	1.75"	5.25"	1.75"
RL638	38°	6"	2.3"	2.3"	7.25"	.72"
RL654	54°	6"	1.5"	1.5"	7.5"	2.5"
RL65568	68°	6" x 5.5"	-	-	9"	-
RL668	68°	6"	1.75"	1.75"	8.5"	4"
RL768	68°	7"	1"	1"	7"	-
RL7668	68°	7" x 6"	3.5"	2"	7.5"	-

AIR INLET DUCTING HOSE.

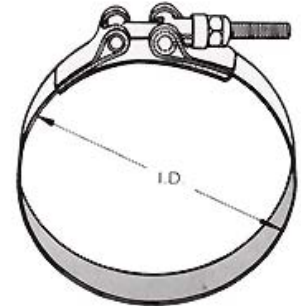
Part No.	Size.
2INTAKE	2"
225INTAKE	2.25"
25INTAKE	2.5"
3INTAKE	3"
35INTAKE	3.5"
4INTAKE	4"
45INTAKE	4.5"
5INTAKE	5"
6INTAKE	6"
7INTAKE	7"



**BLACK THERMO PLASTIC FLEXIBLE RUBBER HOSE WITH SPRING STEEL WIRE HELIX.
TEMPERATURE RANGE -40° TO +135° C.**

AIR INLET S/STEEL T-BOLT CLAMPS.

Part No.	Size	Nominal Diameter.
Z8-20	2"	2.5"
Z8-225	2.25"	2.75"
Z8-25	2.5"	3"
Z8-275	2.75"	3.25"
Z8-30	3"	3.5"
Z8-35	3.5"	4"
Z8-40	4"	4.5"
Z8-45	4.5"	5"
Z8-50	5"	5.5"
Z8-55	5.5"	6"
Z8-60	6"	6.5"
Z8-70	7"	7.62"
Z8-80	8"	8.62"



AIR INLET ALUMINIUM TUBING.

PART NO.	SIZE
27-020	2"
27-030	3"
27-040	4"
27-050	5"
27-055	5.5"
27-060	6"
27-070 *	7"
27-080	8"

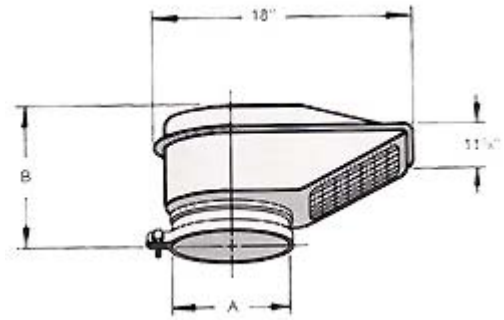


**NB Supplied as 10' Lengths. Sold per Foot.
7" Tube Sold per 10' Length ONLY.**

'VORTEX' AIR INLET RAMS.

PART NO**SIZE**

CFA55	5.5" Black Mild Steel
CFA60	6" Black Mild Steel
CFA60CP	6" Chrome Plated



MOULDED PLASTIC AIR INLET AIR RAMS.

PART NO**SIZE**

H008149	3"
H008154	4"
H008150	5"
H001733	6"
H001725	7"
X004995	6" or 7" Low Profile with Reducing Sleeve.



H001725L	7" with Louvers on Side.
H001661L	8" with Louvers on Side.
H001733L	6" with Louvers on Side.



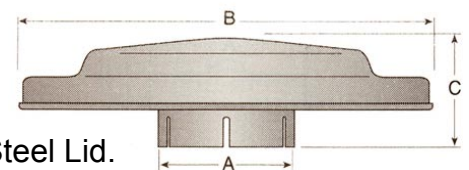
MOULDED PLASTIC AIR INLET HOODS.

PART NO**SIZE**

H008207	2"
H008208	2.5"
H008209	3"
H008210	4"
H000469	5"
H000604	5.5"
H000606	6"
H000607	7"

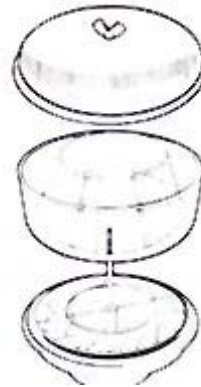


Q11915	6" Plastic Base with Polished Stainless Steel Lid.
Q11916	7" Plastic Base with Polished Stainless Steel Lid.



AIR INLET PRE-CLEANERS.

PART NO	SIZE
H000213	2"
H000234	2" High Flow
H000236	2.5"
H000237	3"
H000255	4"
H000228	4" High Flow
H000256	4.5"
H000227	4.5" High Flow
H000226	5"
H000388	6"



AIR INLET PRE-CLEANER SERVICE PARTS.



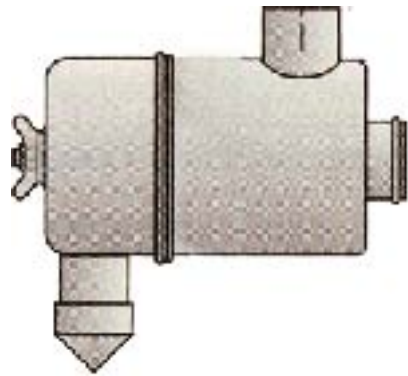
Plastic Bowl



Cover Assembly

PART NO	DESCRIPTION	APPLICATION
P020115	Plastic Bowl	H000213
P020227	Plastic Bowl	H000234, H000236 & H000237
P016330	Plastic Bowl	H000255 & H000256
P020344	Plastic Bowl	H000226, H000227 & H000228
P158324	Plastic Bowl	H000388
P020648	Cover Assembly	H000234, H000236 & H000237
P016548	Cover Assembly	H000255 & H000256
P020345	Cover Assembly	H000226, H000227 & H000228

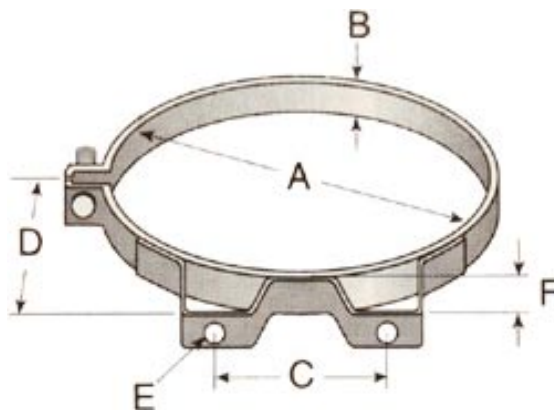
NELSON AIR CLEANER ASSEMBLIES.



74017N	1.75" In/Out x 4.38" Diameter x 8.5" Overall Length.
75536N	2" In/Out x 5.25" Diameter x 12.85" Overall Length.
76533N	2.5" In x 2.25" Out x 6.55" Diameter x 13.65" Overall Length.
75544N	2.5" In/Out x 5.25" Diameter x 16.9" Overall Length.
76559N	3" In/Out x 6.55" Diameter x 17.65" Overall Length.
78037N	3" In/Out x 7.89" Diameter x 14.5" Overall Length.
78058N	3.75" In x 3.5" Out x 7.89" Diameter x 18.05" Overall Length.
71072N	5" In/Out x 10.27" Diameter x 20.24" Overall Length.
71253N	5" In/Out x 12.07" Diameter x 18.48" Overall Length.
71453N	6" In/Out x 14" Diameter x 21.23" Overall Length.
71304A	6" In/Out x 29.2" Diameter x 29.2" Overall Height.
71303A	6" In/Out x 13" Diameter x 29.2" Overall Height. * Stainless Steel.
71303N	6" In/Out x 13" Diameter x 32.9" Overall Height. * Stainless Steel with Hi-Flow Hood.
71601N	7" In/Out x 16" Diameter x 20.9" Overall Length.

AIR CLEANER MOUNTING BANDS.

PART NO	SIZE
P900767	4"
P004055	4.38"
P002348	5.25"
P002351	6"
P007191	6.5"
P900345	7"
P004307	8"
P004073	9"
P004076	10"
H000349	12"
Q27283	13"
Q27284	13" Stainless Steel
H000350	14"
H000351	16"



AIR INLET ACCESSORIES.

PART NO	DESCRIPTION
Q59111	Rubber Vacuator Valve 1.5"
P103198	Rubber Vacuator Valve 3"
P102144	Wing Nut 7/16" u.n.f.
X002251	Air Cleaner Element Service Replacement Indicator 20"
X002252	Air Cleaner Element Service Replacement Indicator 25"
X002351	Air Cleaner Element Service Kit 20"



IN-LINE AIR SEPERATORS.

PART NO	DESCRIPTION
H000875	6" Horizontal Separator. 500-1000 cfm.
H001474	4" Horizontal Separator. 100-400 cfm.
	<ul style="list-style-type: none"> Creates a Two Stage Air Filtration System.
H000878	6" Vertical Separator. 500-1000 cfm.

